

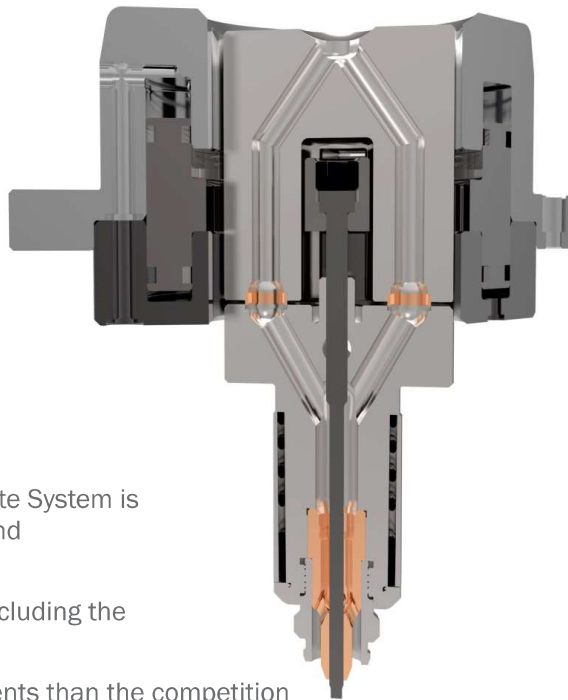
Single Nozzle Valve Gate

The only self-contained Single Nozzle Valve Gate System housed completely within the locating ring.

Polyshot has raised the bar on "in line" pneumatic direct valve gating. With its extremely high pin force of 400 lbs. the Polyshot Single Nozzle Valve Gate makes light work of processing the most highly filled and unfilled commodity resins. In a unique feat of engineering, it places the pneumatic actuating cylinder within the integrated mold locating ring.

Features:

- Entire assembly contained within locating ring
- No cams or levers for optimum fit and carefree maintenance
- Pneumatic powered piston system
- Interchangeable nozzles for use with a wide range of thermoplastics



Why It's Better...

- The Polyshot Single Nozzle Valve Gate System is designed to be the most compact and mechanically reliable unit available
- In-line action of the entire system including the valve pin and piston assembly
- Our system contains fewer components than the competition and contains them all within the integrated mold locating ring
- Greatly reduced stack height and extreme ease of installation and mold maintenance
- Multipurpose applications. With its compact size and easily interchangeable nozzles, it can be used for whatever your production needs are, whether it be a high production mold or prototype tooling, this valve gate system has you covered